

Technical Specifications

11000CR SERIES - BLACK MAX REMOTE CONTROL VALVE

FEATURES

- 10 year warranty and 100% water tested
- 225 psi (15,5 bar) rating
- S24B high-efficiency solenoid for positive opening at high pressures. Stainless steel actuator and brass threads
- Unique “reverse flow” porting design permits equal pressure distribution on both sides of the diaphragm, regardless of line pressure providing zero stress to prevent “stretching,” a common cause of valve failure
- Normally closed valve for water conservation
- Diaphragm’s self cleaning ports constantly flex, inhibiting sand and silt from blocking valve action
- Brass shock cone for smooth operation and reduction of water hammer
- Easy-to-use internal manual bleed lever; bleeds valve downstream; has stops for open and closed positions
- High-strength glass-filled body and cover with 1/4 in. stainless steel cover bolts and mating brass body inserts
- Brass non-rising flow control stem throttles valve from full open to closed position
- Excellent for micro-irrigation
- Contamination resistant (CR)
- Chloramine resistant diaphragm

OPTIONS (FACTORY INSTALLED)

- XPR Pressure Regulator—the Weathermatic XPR pressure regulating module senses inlet pressure and maintains constant outlet pressure (see PRK-24in valve accessory section for specifications)
- Non-potable Alert Solenoid; may be substituted for standard model (specify XS24NP)

ELECTRICAL

- Wiring requires a single lead from the controller to each solenoid, plus a common neutral to all solenoids; type UF wire, U.L. listed, is recommended for all hookups

<u>24VAC/60 Hz</u>	<u>24 VAC/50 Hz</u>
Inrush: 9.86 VA	Inrush: 10.7 VA
Holding: 5.69 VA	Holding: 7.5 VA

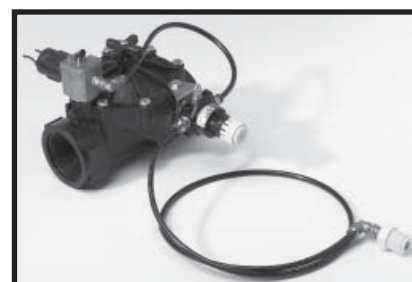
- Do not use nominal voltage ratings listed above for sizing of valve wires

INSTALLATION

- Teflon tape is recommended
 - 1 in. FIP can be pushed to 3/4 in.
 - 1 1/2 in. FIP can be pushed to 1 1/4 in.
- *International threads (specify ISO)*



11000CR



11000CR with XPR option



Technical Specifications

1100CR SERIES - BLACK MAX REMOTE CONTROL VALVE

CONTAMINATION RESISTANT REMOTE CONTROL VALVES shall be No. 11024FCR Black Max as manufactured by Weathermatic Sprinkler Division of Telsco Industries, or approved equal, with hand operated manual internal bleed and flow control. Valve shall be solenoid-operated, diaphragm, reverse flow globe type, with 225 psi CWP rating, having NPT threads (1-inch, 1 ½-inch and 2-inch) (optional ISO) and be suitable for underground burial without protection.

CONSTRUCTION: Valve shall have glass-filled, high strength plastic body and cover with stainless steel spring. Cover shall be secured to body with stainless steel cover bolts having mating brass body inserts. Diaphragm shall be chlorine/ chloramine resistant, molded material with seat to form an integral unit.

Valve shall be packless, without sliding seals, and completely serviceable without removing body from pipeline. Design shall be "normally-closed" requiring solenoid to be energized to open valve, thereby causing automatic closure in event of power failure. Solenoid shall comply with Class II National Electric Code and when operating require a maximum of 5.69 VA at 24 volts ac. Solenoid shall be integrally mounted in valve cover and encapsulated in molded resin to form a corrosion and moisture-proof unit with exposed metal components of non-corrosive material. Solenoid actuator shall be stainless steel. Flow control shall be brass non-rising type with O-ring seal and adjustable from outside the valve for permanent

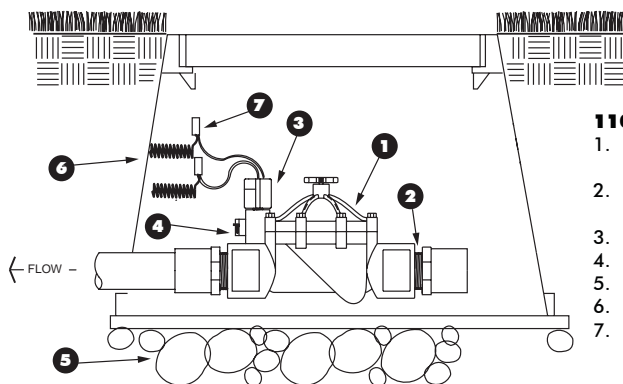
throttling or complete closing of valve. Valve shall accept the Weathermatic PRK-24 pressure-regulating device without replacement of the valve body or cover. The diaphragm assembly should have a brass shock cone to dampen pressure fluctuations and ensure smooth operation.

OPERATION: Solenoid shall be energized to open the valve hydraulically and de-energized to close. Pressure to the hydraulic chamber shall be supplied internally through non-metallic, corrosion-free orifices in the diaphragm with stroke of diaphragm causing a cleansing action of the orifices. There shall be no screens, filters, or strainers that can "clog up" and cause the valve to fail in the open position. There shall be no external bleeding or external tubing to furnish actuating pressure.

WARRANTY: The valve shall have a manufacturer's limited warranty of not less than ten (10) years.



3301 W. Kingsley Road
Garland, Texas 75041-2207
888-484-3776 Fax: 972-271-5710
www.weathermatic.com



1100CR SERIES VALVE

1. WEATHERMATIC 1100CR SERIES REMOTE CONTROL VALVE
2. INSTALL THREADS MALE ADAPTER WITH TEFLON TAPE/TYP.
3. SOLENOID
4. MANUAL BLEED LEVER
5. 3/4 INCH GRAVEL SUPPORTER
6. RECTANGULAR VALVE BOX
7. EXPANSION COIL & WATERPROOF CONNECTOR